



Infinext Technologies Pvt. Ltd.

**iR**InspectRead

# The IINSPECTREAD - ANPR SYSTEM



Defence  
Facilities



Government  
Buildings



Embassy  
Compounds



Energy Plant  
Entrances

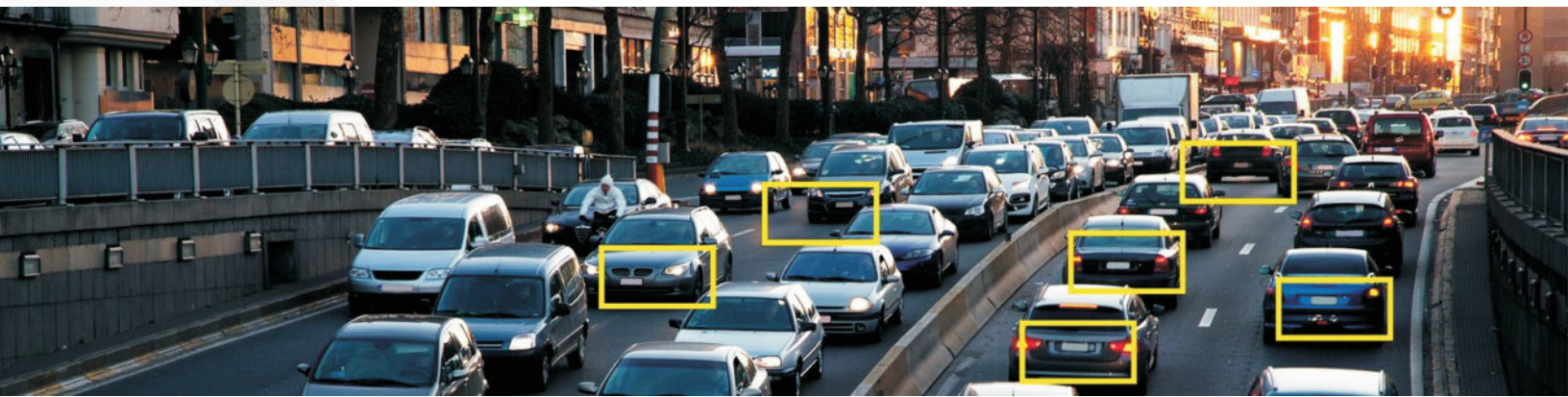


Correctional /  
Prison Facilities

## TECHNOLOGY AT WORK

- Automatic License Plate Recognition - ALPR - for vehicles moving at speeds of up to 30Km/h in triggered mode and up to 60km/h in free-running mode.
- Night-day operation in all weather and light conditions OCR (Optical Character Recognition) libraries for automatic license plate recognition.
- Integrated management tool for white/black lists.
- Application interface for product configuration and management.
- Over-IP operation.
- IP66 Rated Cameras
- Pole , Wall or Portable installation.



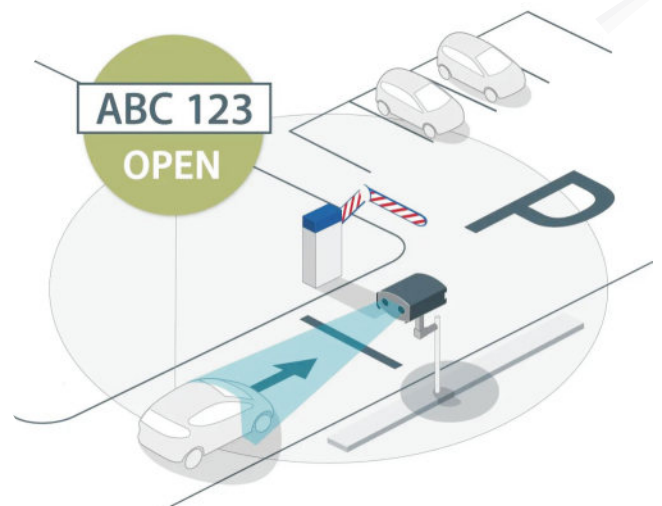


## HIGHLIGHTS

- OCR software compliant with EU license plate coding
- Local storage for images
- Built-in/External IR illuminator
- Digital images recording
- MJPEG streaming
- Application interface for configuration license plate coding.

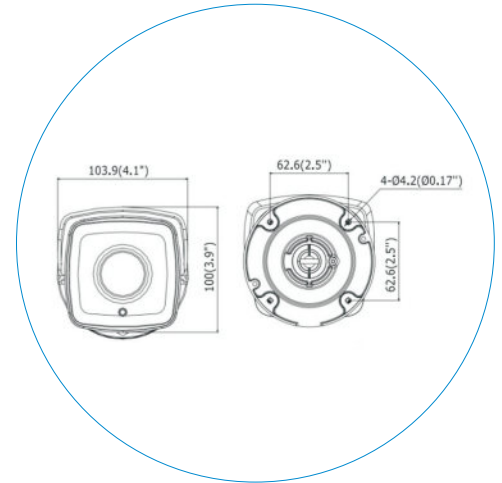
## APPLICATIONS

- Access control in Registered Traffic Areas
- Access control in Public and private parking
- Territory control
- Access control to residential areas
- Toll collection systems



## VISION SYSTEM

- Image Capture
- OCR Camera: Resolution 1920 x 1200 Pixels (2 MP)
- Frame rate 25fps - Progressive Scan CCD
- Lens type 5mm to 50mm
- Minimum illumination 0.1 Lux
- Auto iris
- Automatic Shutter and Gain Control
- Auto White Balance



## INTEGRATED IR ILLUMINATOR

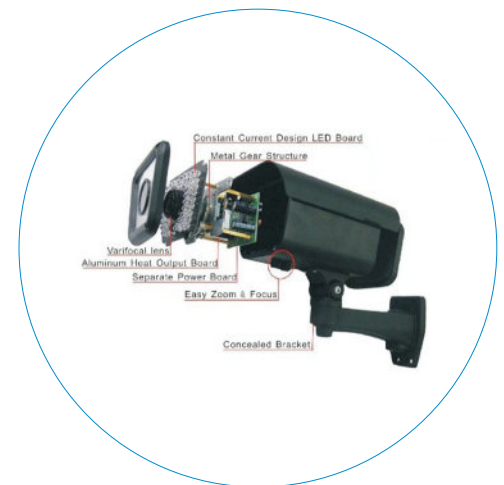
- CE Certified
- POE
- Wavelength 850 nm
- Angle 30°
- IR visible distance 30 m

## INTERNAL STORAGE

- Standard Storage Capacity: Up to 500K License plates (1 TB Storage)

## PHYSICAL CHARACTERISTICS


- Module dimensions: 203 x 125 x 184 mm (8.0\"x4.9\"x7.2\")
- Weight: 2.5 Kg
- Temperature range: -10°C to +50°C
- Ip66 Mechanical Protection



## FUNCTIONING

- Trigger or free running
- Maximum Field of view width: up to 4 meters

\*\*Any/All specifications or Features mentioned in the Data Sheet are subject to Change/Upgrade without any notice. Always confirm your current specifications

 **M/S Infinite Technologies**  
Plot Num. #226, 3<sup>rd</sup> Floor Nahid Plaza  
Salar Jung Colony, Tolichowki  
Hyderabad - 500028.

 040 35002242

 +91 99080 62904

 sales@infinitechnologies.net

 www.infinitechnologies.net